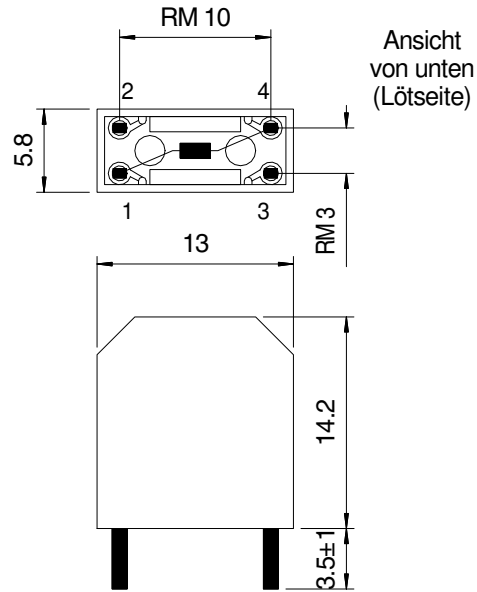
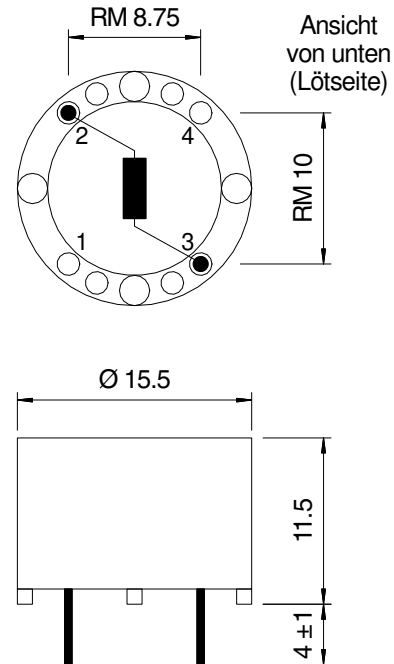


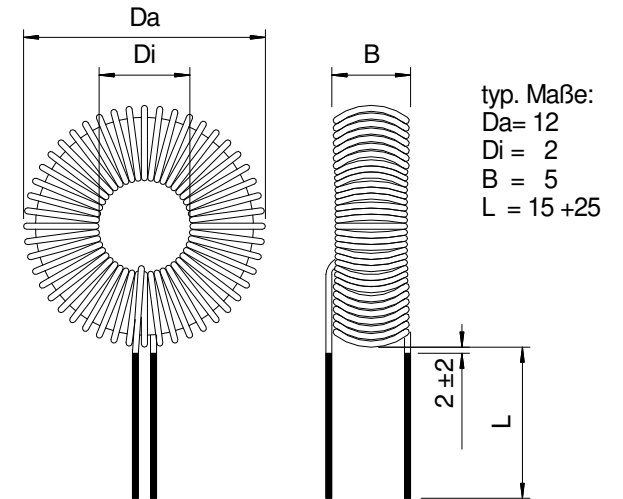
R1003?B5



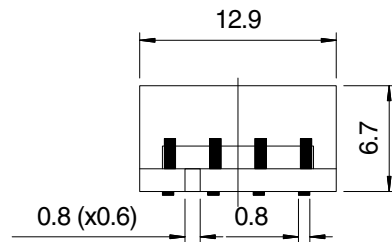
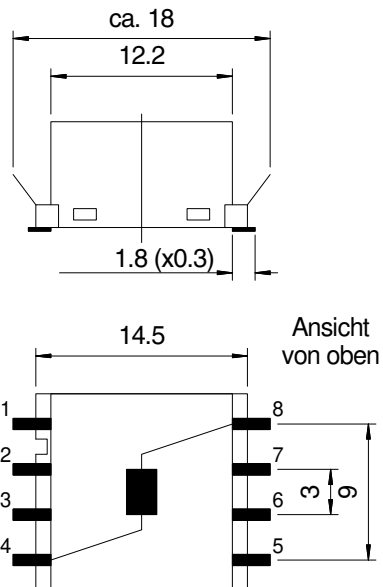
R1003?B6



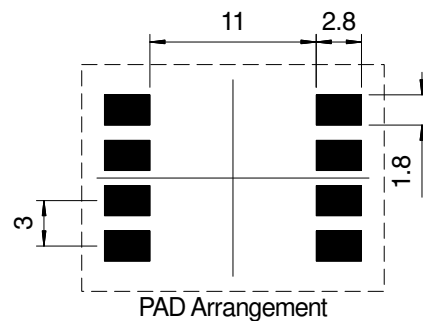
R1003?11



R1003?-SMD



? = mögliche Materialien
 A, C, **D**, F, K, L, M



R1003?10

